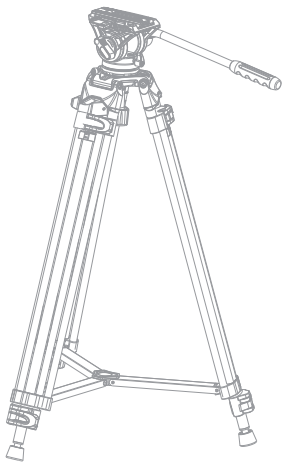


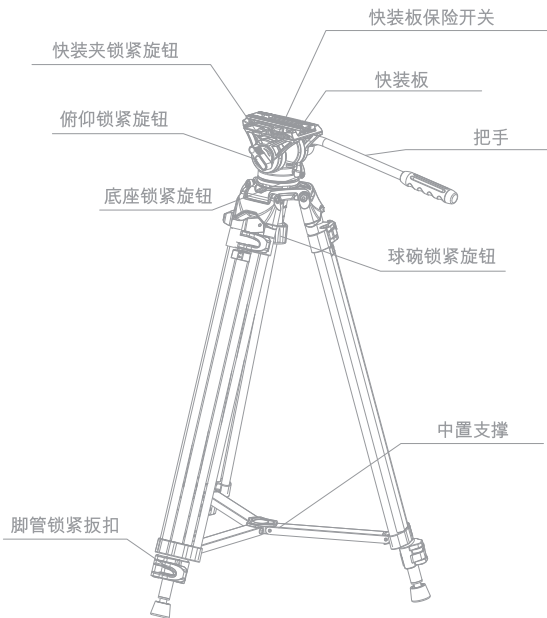
SmallRig



重型液压云台三脚架

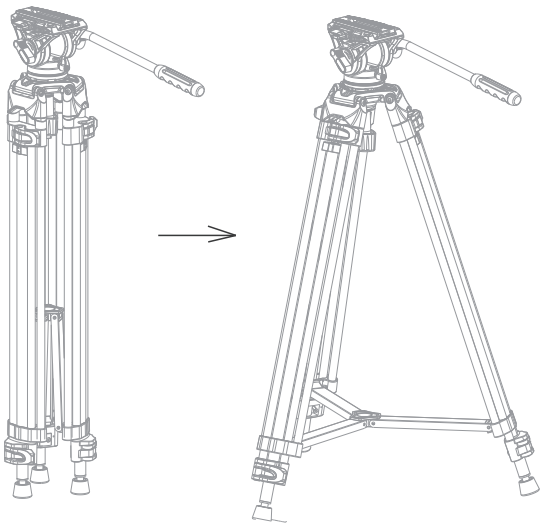
User Manual

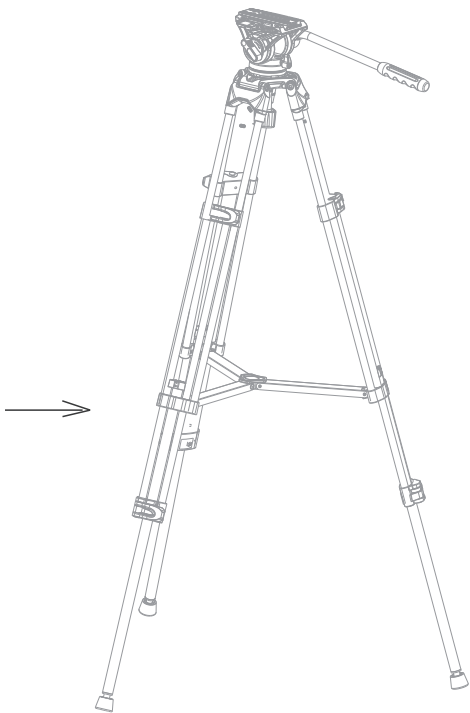
部品名称



三脚架高度调节

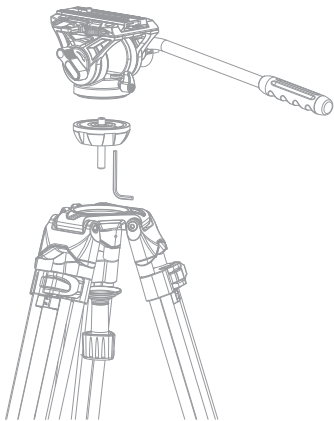
打开三只脚之间的脚管锁紧扣，然后打开三只脚，调节三脚架高度。



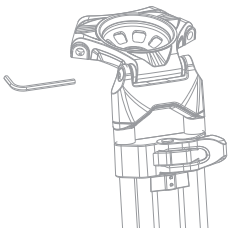


云台与脚架组合

1. 将球碗座顺时针旋入云台3/8底孔，再用内六角扳手将3颗紧定螺丝锁紧。
2. 将云台装入脚架球碗内，然后用手把顺时针锁紧使云台固定在脚架上。

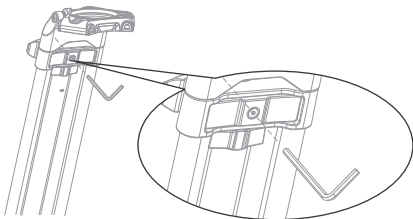


脚架松紧度调节



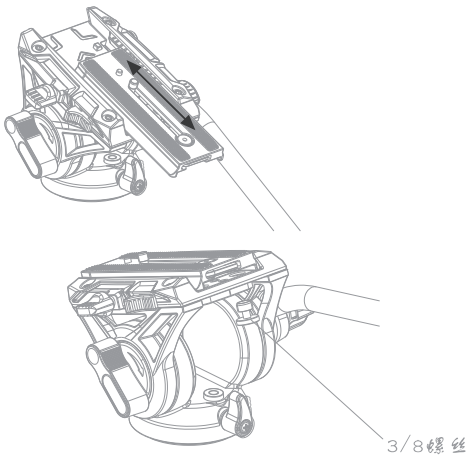
扳扣锁紧力度调节

使用内六角扳手，顺时针拧紧螺丝，可加强扳扣的锁紧力度，逆时针拧松螺丝，可减弱扳扣锁紧力度。



快装板

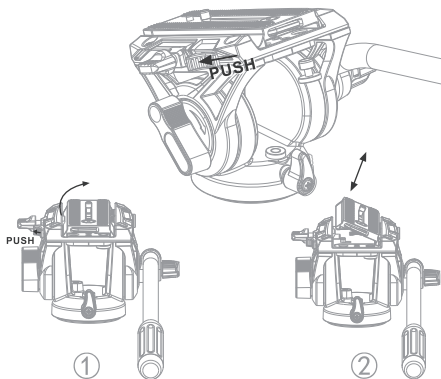
快装板可实现水平移动，从0位置到平衡最优位置，保证了平衡位置的广度。



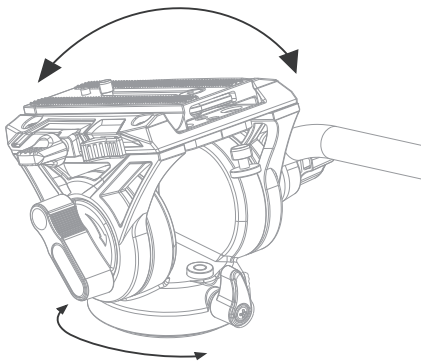
3/8 螺丝

快装板安装及使用

拧松快装板锁紧旋钮,推开快装板保险开关(有器材在快装板上的时候,需要一直推着保险开关,才可取下快装板),即可取出快装板。快装板安装如图②所示,快装板单边卡进云台面板槽然后把快装板放入面板里,锁紧快装板旋钮。

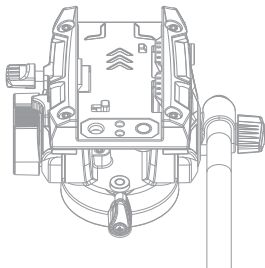
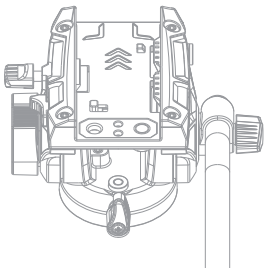
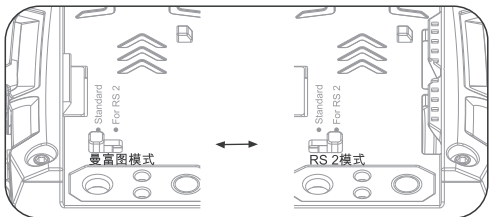


云台俯仰调整及水平调整



DJI RS 2稳定器板槽兼容

DJI RS 2模式、曼富图模式双板槽模式切换。



注意事项:



使用此产品时，时常确认产品各锁紧装置是处于锁紧的安全状态，避免意外损坏相机。



请勿在零下20度或高于零上70度的温度下使用本产品，不推荐在海水中使用本产品。



请勿长时间将产品放置在太阳下，避免长时间将产品放置在高温下，例如靠近汽车玻璃数小时。



在公共场所使用本产品时，请勿离人，避免小孩靠近，造成意外伤害。在危险的地方使用时，请谨慎操作。

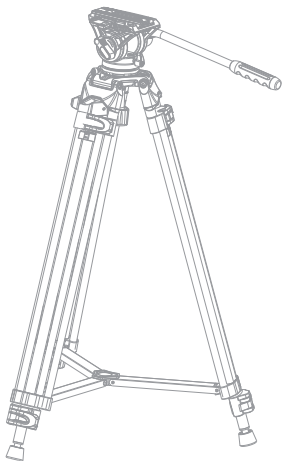


在潮湿，泥沙，风尘等环境中使用过后，一定要用干布将锁紧螺牙，和可能藏有泥沙的部分清除干净，可使用无水酒精，消毒酒精，清洁剂等擦洗。



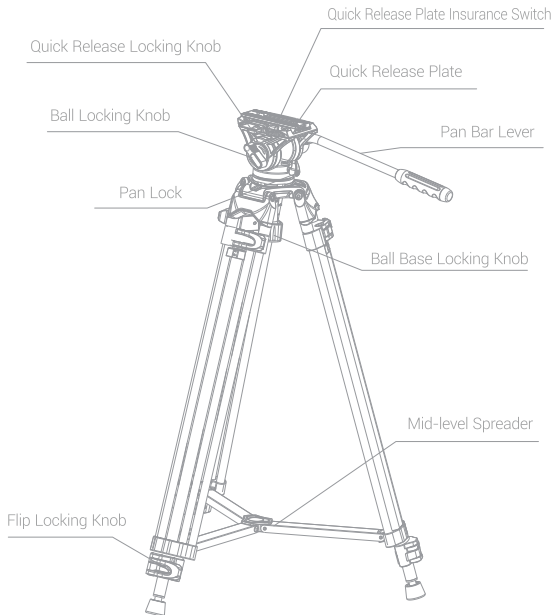
为了人身安全，在使用本产品时，请勿靠近高电压区域，或与强效化学接触。

SmallRig



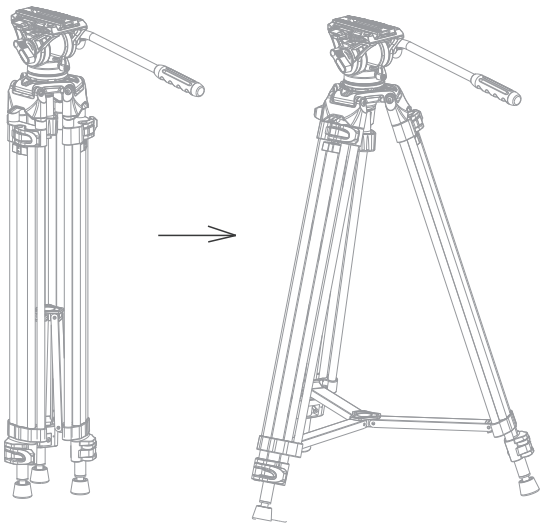
Heavy-Duty Fluid Head Tripod AD-01
User Manual

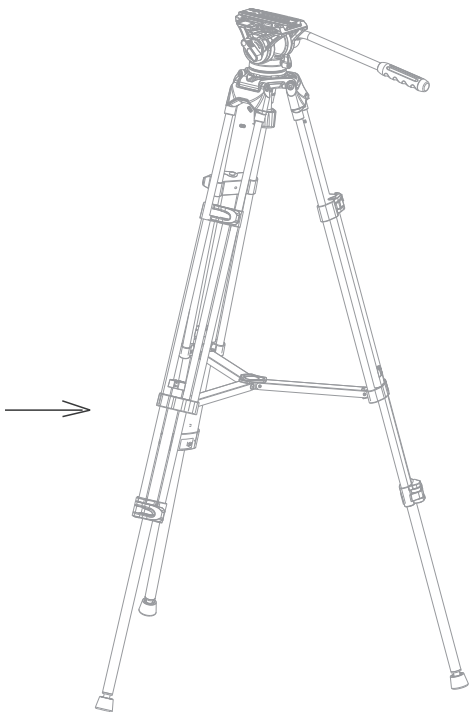
Components Description



Adjustable Height of Tripod

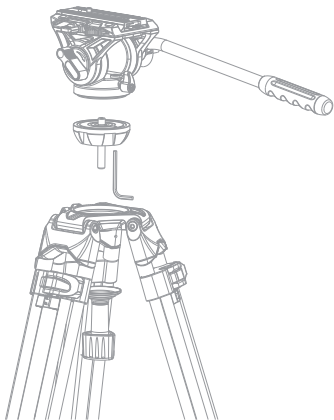
Open the tube locks of three feet, and then open it to adjust the height.



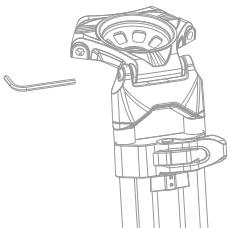


Combination the Head with Tripod

1. Clockwise screwing the bowl on the 3/8"-16 bottom hole of the head and then using the Allen key to lock three set screws.
2. Install the head into the tripod bowl, then clockwise lock the head on the tripod steady.

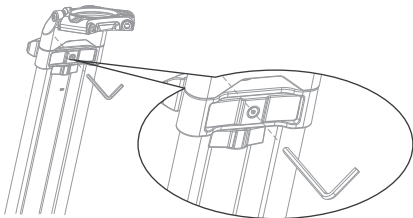


Adjustable Tightness of Tripod



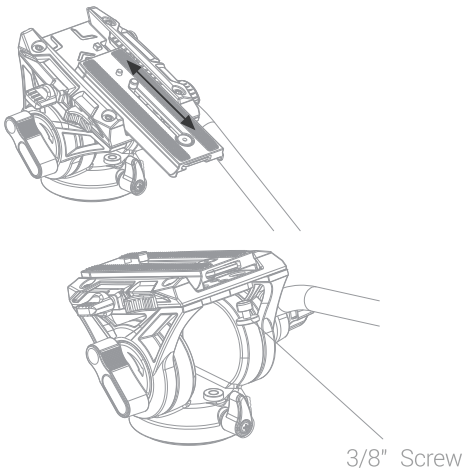
Adjust the Flip Lock Strength

Use the Allen wrench clockwise tighten the screws can enhance lock strength. In a similar way, anticlockwise loose the screws can weaken the lock strength.



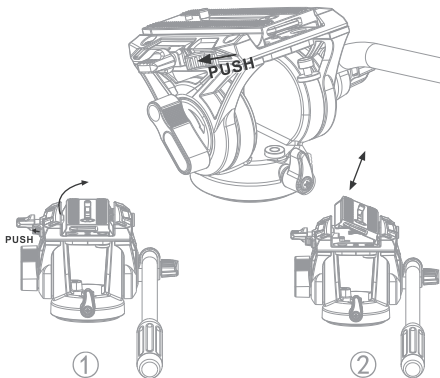
QR Plate

It is easy to change camera and transport mode with an included quick plate. The quick release plate comes with one 1/4"-20 screw & one 3/8"-16 screw as needed. The hidden screws are stored on the head base.



Quick Release Plate Installation and Use

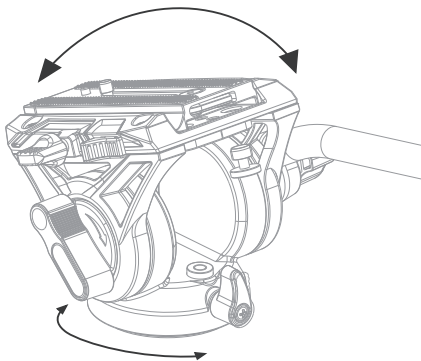
Loosen the locking knob of the quick release plate and push the quick release plate insurance switch (when there is equipment the quick release plate, you need to keep pushing the insurance switch to remove the quick release plate), then you can take out the quick release plate. The installation of the Quick release plate is shown in Figure 2. One side of the quick release plate snaps into the gimbal panel slot, and then put the quick release plate into the panel, and lock the quick release plate knob.



Tilt Adjustment & Pan Adjustment

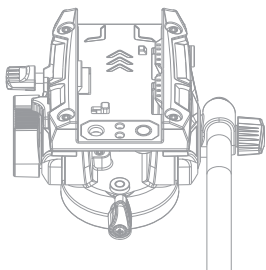
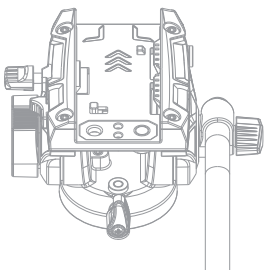
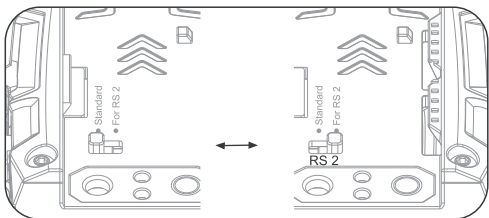
A side mounted knob adjusts the tension of the dragon front-rear. Tilt movements. Rotate to adjust with a camera mounted to find the most appropriate setting.

A pan bar lever provides both drag and locking control of horizontal head movement.



DJI RS2

It is not only compatible with quick release plate for DJI RS 2 stabilizer, but also free to switch the dual-mode of DJI RS 2 and Manfrotto.



User Notice:



Always ensure the locks and devices are in safety condition to avoid accidental damage of the camera and other equipment.



Do not use the product at temperature less than -20°C or more than 70°C . It is not recommended to use in seawater.



Avoid leaving the product in high temperature, e.g in the sun for long time or in a car near the car window for hours.



Please keep the product away from the reach of children while working, preventing any accidental hurt in the public. Be careful to use product in dangerous place.



After using in the wet, dusty, sandy, windy days, it is recommended to clean and dry the tripod with soft cloth. The dirt, dust, and sand in all leg locks, threads, should be removed after using. Clean with mild detergent or alcohol.



For your own safety, don't let products near any electrical power source and chemical substances.