

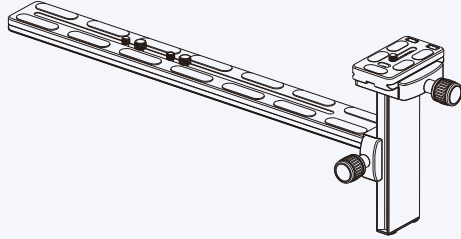


Professional Photographic Equipment

INSTRUCTIONS

TY-350

Telephoto Lens Support Plate



Guangdong SIRUI optical co.,ltd

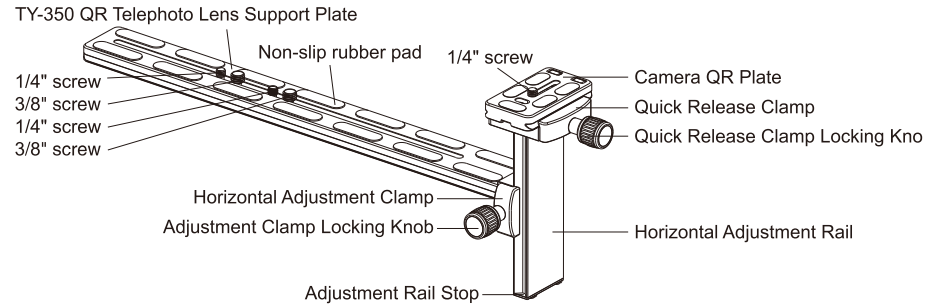
Address: The Third Industrial District, Wuguishan Town, Zhongshan City, Guangdong, China
Tel: 0086-760-89897373 Fax: 0086-760-88207062 Service Hotline: 0086-400-8302299
E-mail: info@sirui-photo.com http://www.sirui.com P.C: 528458

TY-350 420×90×145 510/17.99

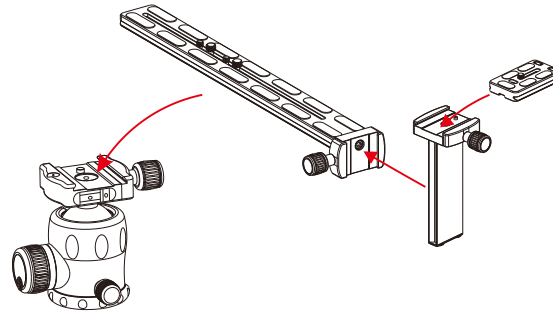


TY-350 Data Chart

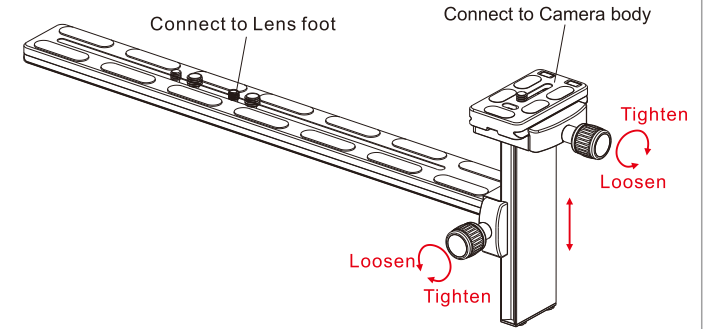
1. Understanding your TY-350



2. Attaching the TY-350



3. TY-350 Operation



1. Understanding your TY-350

The TY-350 is specially designed for supporting large telephoto lenses. The TY-350 Telephoto Support Plate is designed to fit on the SIRUI K-30X/K-40X Ball head (or other ball heads with Arca compatible quick release plates).

2. Attaching the TY-350

- ① Attach the Camera QR Plate onto your camera; then attach the Horizontal Adjustment Rail into the Horizontal Adjustment Clamp.
- ② Slide the TY-350 onto the Sirui K-30X/K-40X Ball Head and tighten the Clamp Locking Knob.

3. TY-350 Operation

- ① Loosen the Adjustment Clamp Locking Knob and move the Telephoto Lens Support Plate to its lowest position.
- ② Attach the lens onto the camera and slide the camera (with attached Camera QR plate) into the Quick Release Clamp.

- ③ Move the Telephoto Lens Support Plate up, until the non-slip rubber pads touch the lens' foot. Twist the 1/4" or 3/8" screw into the bottom of the lens foot. Tighten the Adjustment Clamp Locking Knob.
- ④ If the 1/4" screw on Camera QR plate is not compatible with your camera, you can remove it and simply rest the camera body on the platform (the lens foot will secure the equipment). Please hold the camera when moving the outfit. You can also use the Camera QR plate as a standard QR plate on Sirui tripod and monopod heads.

4. Cautions

- ① To prevent excessive wear to the camera's tripod socket, you should not frequently attach and remove the Quick Release Plate. It is quite common to leave the QR Plate permanently attached to the camera.
- ② Please hold your camera while attaching and removing it from the QR Clamp.

Specifications are subject to change without notice.