



微信公众账号



FACEBOOK

安徽长庚光学科技有限公司

www.laowalens.com

服务热线: 400-066-1316

Email: sales@laowalens.com

电话Tel: (+86) 0551-69107990

地址: 合肥市庐阳区天水路与太和路交叉口庐阳中科大校友创新园5号楼

Add: Building 5, USTC Alumni Innovation Park, Crossing of Tianshui
and Taihe Road, Luyang District, Hefei City, Anhui Province, China

LAOWA GF 17mm F4 D-Dreamer

使用手册
Instruction Manual

LAOWA 老蛙

本公司保留更改产品设计与规格的权利, 届时恕不另行通知;
本公司保留对此《使用说明》的最终解释权。
Please note we reserve the right to change our product's
design and specifications at any time without notice and
to the final interpretation of the *Instruction Manual*.



Introduction

Thank you very much for purchasing Laowa GF 17mm F4 D-Dreamer lens. For operational safety, please read this instruction manual thoroughly and place the manual where it is easy to obtain when needed. Please contact customer service for technical support in case of any unsolvable problems.



△ Prior to use, please read this instruction manual carefully to ensure proper use. Keep the Instruction Manual in hand and refer to it whenever needed. If you are still unable to solve the problem by reading the manual, please contact our after-sales service for further technical support.

FEATURES

- Laowa 17mm F4 D-Dreamer is a mirrorless lens designed for Fuji medium format system cameras. It gives a focal length of 13.5mm (35mm-equivalent) and 115° angle of view. It provides a native lens option for medium format users without the need to adapt lenses from other system.
- Laowa lenses keep up with the highest requirements of ultra wide angle lenses with the close-to-zero distortion design. It includes 21 elements in 14 groups with one piece of aspherical glass and three extra-low dispersion glasses to eliminate chromatic aberration and distortion. It also helps to deliver corner to corner sharpness for the medium format sensors.
- The Frog Eye Coating, known as "FEC", is applied to the front element of the lens, protecting it from water droplets and smudges. Multi-layer low-reflective coatings are applied to each glass element to eliminate ghosting and flare.
- The metallic build design increases the durability of the lens, providing a more reliable shooting experience for medium-format users.
- A lens hood is attached to the front of the lens and a 86mm circular filter thread is equipped.

PERCAUTIONS

⚠ Safety Precautions

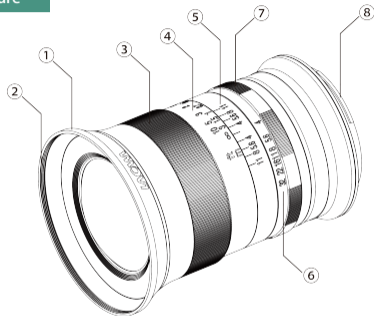
- Do not disassemble or modify the lens by yourself. If it is damaged by external force, do not touch any exposed part of the lens.
- Don't expose the lens to excessive heat such as direct sunshine or a parked car as this may deform the lens elements and other mechanism.
- Close the front cap of the lens or prevent the lens from exposing sunlight when it is not in use. The light reflected by the convex lens gathering on a nearby object can cause fire.
- Do not place the sun in the center of the frame when shooting with backlight, sunlight focused on the camera when the sun is in or close to the frame could cause a fire or damage to your eyes.
- When shooting with the camera's built-in flash, the lens itself may block the light and cause vignetting, an external flash is recommended in such case.

PERCAUTIONS

■ Maintenance Precautions

- Avoid touching the lens surface and apply lens cloth or air blow to remove dust from it, you can also install UV lens for protection purpose. Close the lens cap when it is not in use.
- Gently remove any dirt and fingerprints by rubbing the lens surface in spiral motions (from center to the periphery) with lens tissue or cleaning cloth.
- When the lens is taken from a cold environment into a warm one, condensation may develop on the surface and internal parts of the lens, so moisture protection should be taken when transferring.

Nomenclature



- ① Lens hood (non-detachable part) ② Filter thread ③ Focusing ring
④ Distance scale ⑤ Depth-of-field scale ⑥ Aperture scale
⑦ Aperture ring ⑧ Installation mount and mark

INSTRUCTIONS

■ Mounting the Lens

- Remove the lens rear cap. Align the Mounting index⑧ on your lens with the matching mounting index mark on the camera. Insert the lens into the camera and turn the lens in the attachment direction until it locks with a "click".

■ Detaching the Lens

- Turn the camera off and press the lens release button on the camera, turn the lens in the direction opposite to that for attaching, and pull it out.
- Gently turn the lens back and forth to ensure that the lens is fully attached to the camera.
- Turn on the "lens-free shutter release" function in the camera, as it is a non-CPU lens, data information cannot be provided.

INSTRUCTIONS

■ Focusing Instructions

- Focus by turning the focusing ring as it is a manual focus only lens.
- Do not apply too much force when turning the focusing ring or moving it too quickly in case of any damage.
- The distance scale④ and the depth-of-field scale⑤ on the lens are for instructional purpose. Actual focus and depth-of-field may be slightly different from the scale.
- For the need of extremely precise focus, please fix the camera position and focus with a wide-open aperture. Get focus first and then set the required aperture.
- To facilitate focusing, please turn on [Focus peaking] in the camera setting (depending on the function of your camera).

INSTRUCTIONS

■ Aperture Instructions

- Turn the aperture ring⑥ on the lens to choose the corresponding aperture according to the shooting situation and desired depth-of-field.
- As a Non-CPU lens, the camera cannot record the actual aperture value.
- Since this is a manual lens, aperture-priority mode is recommended to be used. (Metering accuracy will depend on the camera)

Specifications

LAOWA GF 17mm F4 D-Dreamer	
Format	Medium Format
Focal Length	17mm
Angle of View	115°
Max.Aperture	4.0
Min.Aperture	32
Elements/Groups	21/14 <small>(Including 2 pcs x Aspherical glass&3 pcs x ED glass elements)</small>
Aperture Blades	5
Min.Shooting Distance	20mm
Max.Magnification	0.28X
Focusing	Manual Focus (MF)
Filter Diameter	Φ86mm
Size(diameter/length)	Φ88mm×124.5 mm
Weight	About 829g