



Godox MF-R76 Micro Ring Flash Instruction Manual

[Home](#) » [Godox](#) » [Godox MF-R76 Micro Ring Flash Instruction Manual](#) 

Godox MF-R76 Micro Ring Flash Instruction Manual



Contents

- 1 Foreword
- 2 Features
- 3 Name of Parts
- 4 What's in the Box
- 5 Battery
- 6 Loading and Unloading the Battery
- 7 Installation and Disassembly of the Controller
- 8 Installation and Disassembly of the ring flash
- 9 Operating Instructions
 - 9.1 C.Fn: Setting Custom Functions
 - 9.2 Flash power setting
 - 9.3 Compatible Camera Models
 - 9.4 Over-Temperature Protection
 - 9.5 Other Protections
- 10 Technical Data
- 11 Maintenance
- 12 FCC Statement
- 13 Warranty
- 14 Documents / Resources
- 15 Related Posts

Foreword

Thank you for purchasing!

MF-R76 is a macro ring flash with compact structure of flash body and convenient controller. The A/B flash tube can fire independently, set flash power output to achieve precise brightness control, and provide a variety of options and creations. It can be widely used in macro shooting scenes such as insect photography, plant photography, jewelry photography and dental photography.

Features

No vignetting and no shadows in macro shooting.

Accurate power adjustment from 1/1 full power to 1/128 at 1/3E Vincement each stop.

Guide No. GN14, stable manual flash output and instant filling. Merely 1.5s full-power flash recycling time.

Lithium battery power supply, up to 660 flash times in 1/1 full power.

Easy to install and suitable for camera lens with a diameter of 49mm-77mm.

Two LED Focus Assist Beam are designed with 10 levels of brightness adjustment.

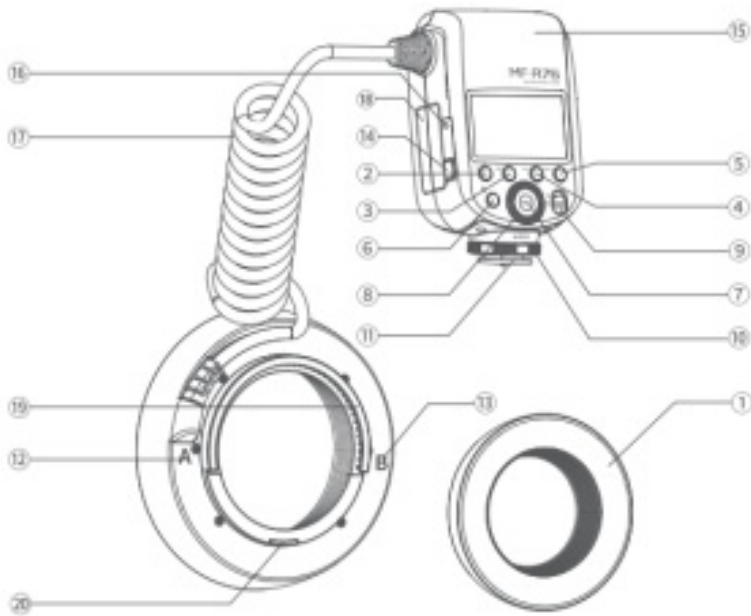
Simple user's interface, convenient and comfortable operation.

Warning

- Always keep this product dry. @ Keep out of reach of children.
- As this product is not waterproof, do not use in rain or in damp conditions.
- Do not leave or store the flash unit if the ambient temperature reads over 50C . Otherwise the electronic parts may be damaged.
- Do not disassemble. Should repairs become necessary, this product must be sent to an authorized maintenance center.
- Stop using this product if it breaks open due to extrusion, falling or strong hit. Otherwise, electric shock may occur if you touch the electronic parts inside it.

- Do not fire the flash directly into the eyes (especially those of babies) within short distances. Otherwise visual impairment may occur. @ Do not use the flash unit in the presence of flammable gases, chemicals and other similar materials. In certain circumstance, these materials may be sensitive to the strong light emitting from this flash unit and fire or electromagnetic interference may result.
- Turn off the devices immediately in the event of malfunction.

Name of Parts



1. Flash head
2. LED Focus Assist Beam button (1-10 stops)
3. A /B group selection dial
4. C. Fn: Setting Custom Functions button
5. RATIO button
6. Flash trigger button
7. SET button
8. Select dial
9. ON/OFF Power switch button
10. Lock ring
11. Hotshoe
12. Flash tube A
13. Flash tube B
14. Battery remove button
15. Controller
16. 3.5mm sync cord jack
17. Connecting cable
18. Lithium battery
19. Adapter ring connecting port
20. Detaching mount

What's in the Box



Battery

1. This product uses 7.2V/2600mAh lithium battery which has long runtime. The available charge-and-discharge times are 480.
2. It is reliably safe. The inner circuit is against overcharge, over discharge, overcurrent, and short circuit.
3. Take only 3.5 hours to fully charge the battery by using battery charger. VC1(SV 2A,optional)

Tips: Macro ring flash MF-R76 is compatible with Godox V1 lithium battery VB26 and ADI 00Pro lithium battery WB100 (7.2V/2600mAh or 7.2V/3200mAh)

Cautions

1. Do not short circuit.
2. Do not expose to rain or immerse into water. This battery is not water proof.
3. Keep out of reach of children.
4. No over 24 hours' continuous charging.
5. Store in dry, cool, ventilated places.
6. Do not put aside or into fire.
7. Dead batteries should be disposed according to local regulations.
8. If the battery had ceased using for over 3 months, please make a full recharge.
9. Please charge the battery to approx. 60% before being placed for long time.
10. Please replace a new battery after charging-and-discharging over 500 times or being used over 3 years.

Loading and Unloading the Battery

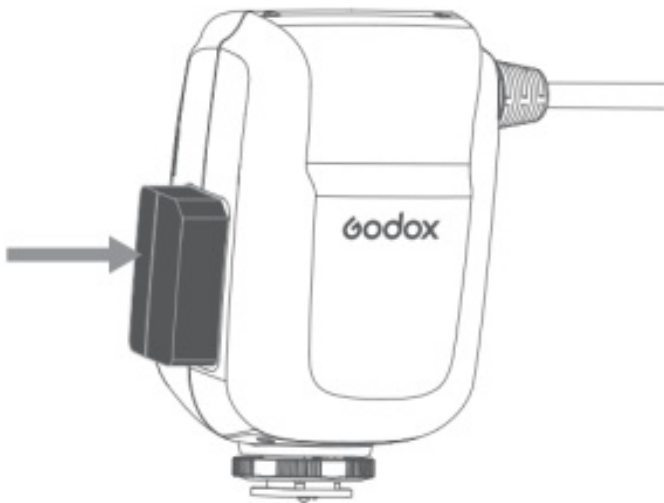
1. Unloading

Long press the battery remove button and push right the battery to unload it.



2. Loading

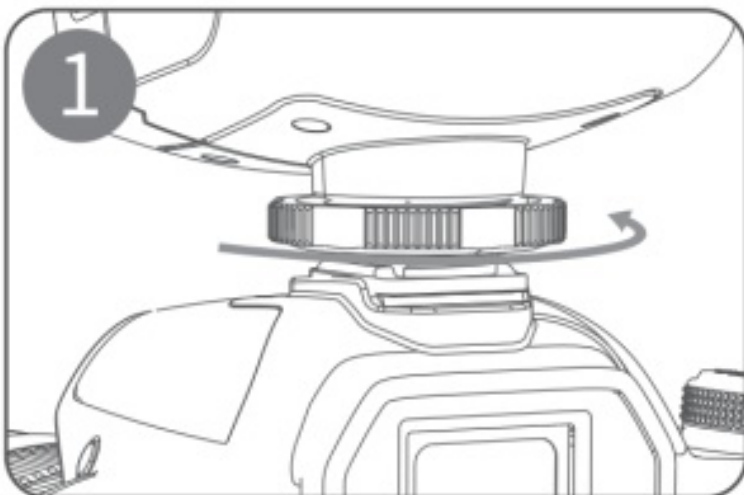
Insert the lithium battery according to the direction, push in until it is locked.



Installation and Disassembly of the Controller

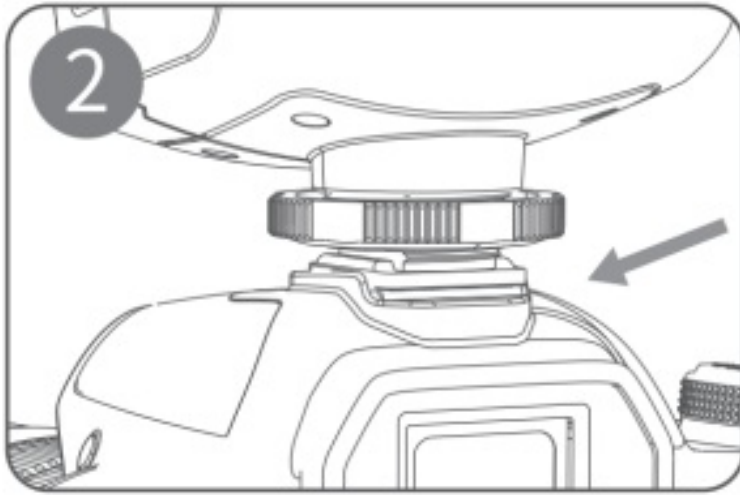
1. Loosening the lock ring

Rotate anticlockwise to loosen the lock ring.



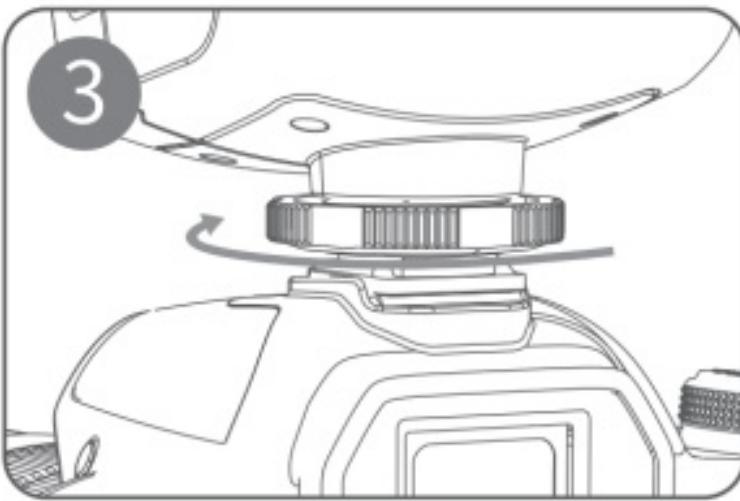
2. Installing the controller

Slide the hotshoe to completely insert it into the camera's socket.



3. Securing the lock ring

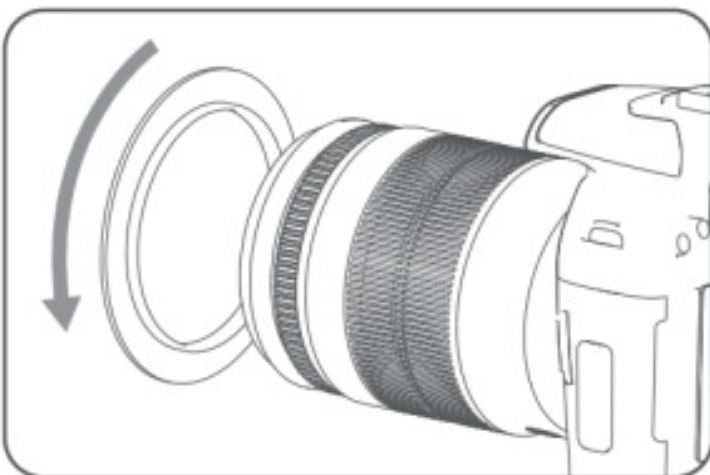
Rotate clockwise to secure the lock ring.



Installation and Disassembly of the ring flash

1. Installing the lens adapter ring

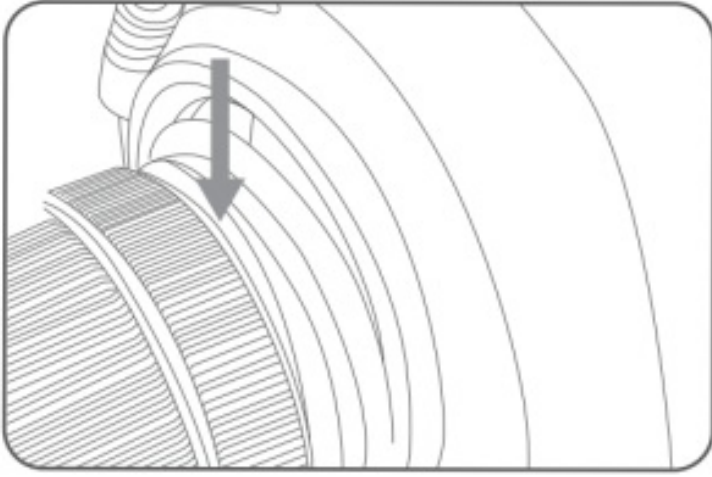
Rotate clockwise the proper adapter ring and mount it to the front of the lens.



Tips: There are 8 adapter rings applicable to MF-R76: 49mm, 52mm, 55mm, 58mm, 62mm, 67mm, 72mm and 77mm.

2. Installing the ring flash

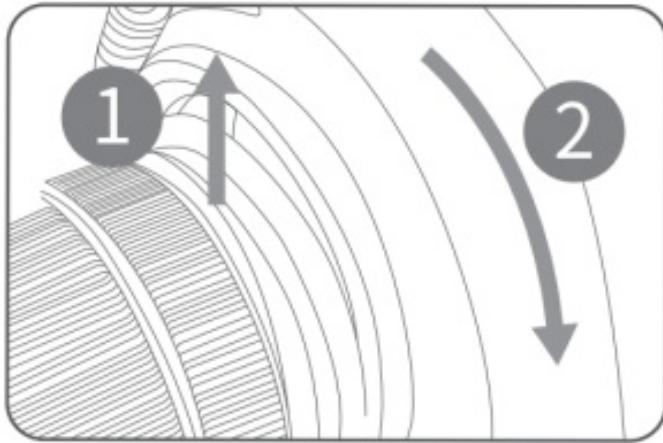
Insert the lens with adapter ring into the adapter ring connecting port until it is locked.



Note: It is normal that the mounted ring flash can be rotated 360°.

3. Disassembling the ring flash

Slightly pull out the remove buckle on the back, and then rotate to the right to remove the ring flash



Operating Instructions

Power switch

Toggle ON/OFF Power switch button to power on, and <OFF> to power off.

Focus Assist Beam

Short press the LED Focus Assist Beam button to turn on or turn off the Focus Assist Beam.

Modeling light adjustment:

Turn on the Focus Assist Beam short press SET button to enter the setting interface, then turn the select dial to adjust in 1-10 stops.

A/B flash setting switch

Short press A/B flash selection dial to switch to A/B flash setting interface, turn the select dial to set flash output from 1/1 full power to 1/128 with 1/3 increment at each stop.

C.Fn: Setting Custom Functions

1. Backlight dormancy setting

This product has backlight dormancy function to avoid battery consumption in long period of idle use.

Short press < C.Fn > C.Fn button to enter the custom function setting interface, with "BL"(Backlight) and

“dormancy time” displayed on the LCD panel. The dormancy time is set to 10s by default. You can change or turn off the dormancy time by turning the select dial, after which press the < C.Fn > C.Fn button to return to the previous interface.

Backlight Dormancy Setting	Description
ON	The backlight is constantly on.
OFF	The backlight is turned off, it is in the state of no backlight.
10s	Idle time before entering backlight dormancy mode is set to 10s.
20s	Idle time before entering backlight dormancy mode is set to 20s.

2. Auto sleep setting

This product has auto sleep function to avoid battery consumption in long period of idle use.

Short press <C.Fn > C.Fn button to enter the custom function setting interface, with “SL”(Sleep) and “sleeping time” displayed on the LCD panel. The sleeping time is set to 30min by default. You can change or turn off the sleeping time by turning the select dial, after which press the <C.Fn > C.Fn button to return to the previous interface.

Auto sleep setting	Description
OFF	The Sleep Function is turned off. The flash unit will not automatically enter sleep mode.
30min	Idle time before entering sleep mode is set to 30 minutes. Press any button to waken.
60min	Idle time before entering sleep mode is set to 60 minutes. Press any button to waken.

Flash power setting

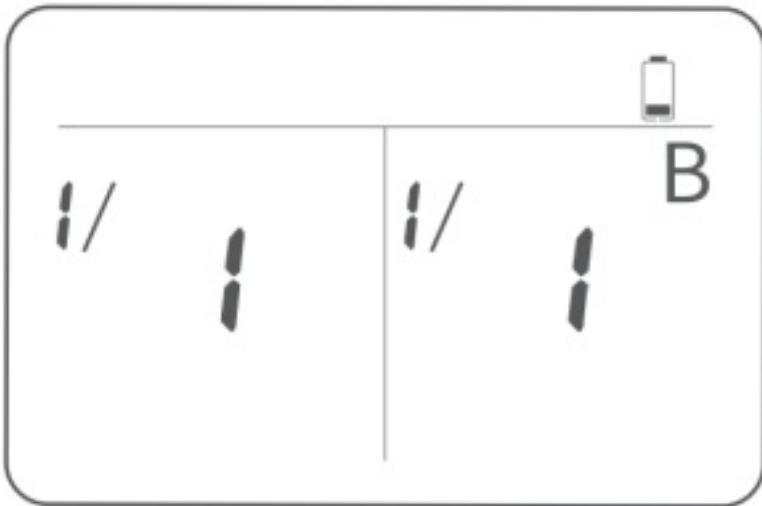
Short press RATIO button to switch among AB flash power common adjustment—A. B flash power individual adjustment—A flash power adjustment—B group flash power adjustment. You can set the manual flash output from 1/1 full power to 1/128 with 1/3 increment at each stop by turning the select dial. The flash can fire in one of the four modes:

1. A group fires in the same power with B group,
2. A group fires in the different power with B group,
3. Only A group fires,
4. Only B group fires.

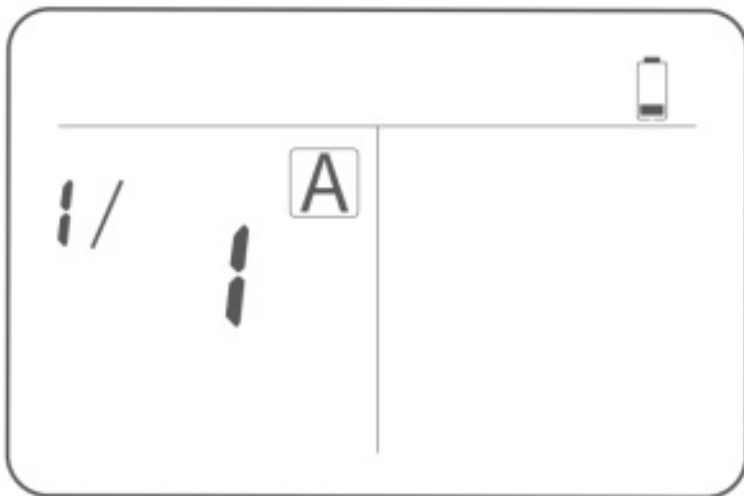
AB flash power common adjustment



A. B flashpower individual adjustment



A flash power adjustment



B flash power adjustment




Note: The A. B flash power individual adjustment interface displays A flash power adjustment by default, for B flash power adjustment, you need to switch to B flash then turn the select dial

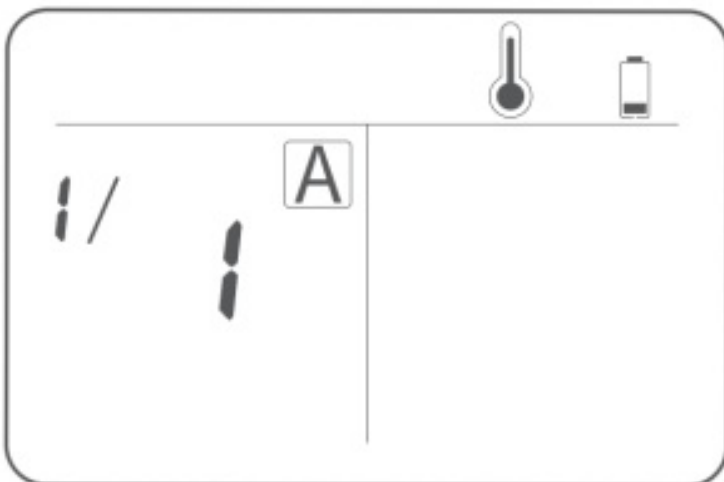
Compatible Camera Models

This flash unit can be used on the following camera models: Canon, Nikon, Sony, Fuji, Olympus, Panasonic, Pentax.

Over-Temperature Protection

To avoid overheating and deteriorating the flash head, do not fire more than 35 continuous flashes in fast succession at 1/1 full power. After 35 continuous flashes, allow a rest time of at least 10 minutes. If you fire more than 35 continuous flashes and then fire more flashes in short intervals, the inner over temperature protection

function may be activated and  is shown on the LCD panel. If this occurs, allow a rest time of about 10 minutes, and the flash unit will then return to normal.



Number of flashes that will activate over-temperature protection:

Power Output Level	Number of Flashes
1/1	35
1/2	60
1/4	120
1/8	196
1/16	285
1/32	465
1/64	820
1/128	1750

Other Protections

Prompts on LCD Panel	Meaning
E0	A failure occurs on the temperature sensor. Please send this kit to a maintenance center.
E1	A failure occurs on the recycling system so that the flash cannot fire. Please restart the flash unit. If the problem still exists, please send this product to a maintenance center.
E2	The system gets excessive heat. Please allow a rest time of 10 minutes.
E3	The voltage on two outlets of the flash tube is too high. Please send this product to a maintenance center.

Technical Data

Product Name	Macro Ring Flash
Model	MF-R76
Guide No.	GN14/46(150 100. in meter/feet)
Compatible Cameras	Canon, Nikon, Sony, Fuji, Olympus, Panasonic, Pentax
Lithium Battery	7.2V/2600mAh
Flash Power (1/1 Power Output)	76Ws
Focus Assist Beam Power	0.7W"2
Focus Assist Beam CCT	5000K
Flash Power Range	1/1-1/128(with 1/3 increment at each stop)
Flash Duration	1/300s-1/20000s
Inner Diameter of Light Body	77mm
Illuminating Distance	3cm-1.5m
Recycle Time	0.1—1.5s
Full Power Flashes	660times

Working Environment Temperature	—10-50°C
Ring Flash Dimension	130*130*27mm/5.1*5.1*1 inches
Controller Dimension	120*70*50mm/4.7*2.7*1.9 inches
Net Weight	=458g/16.1oz
Net Weight(with battery)	577g/20.3 oz

All the above data are based on Godox testing standards. Design and specifications may be subject to change without notice.

Maintenance

- Shut down the device immediately should abnormal operation be detected.
- Avoid sudden impacts and the product should be dedusted regularly.
- It is normal for the flash tube to be warm when in use. Avoid continuous flashes if unnecessary.
- Maintenance of the flash must be performed by our authorized maintenance department which can provide original accessories.
- This product, except consumables e.g. flash tube, is supported with a one-year warranty.
- Unauthorized service will void the warranty.
- If the product had failures or was wetted, do not use it until it is repaired by professionals.
- Changes made to the specifications or designs may not be reflected in this manual.

FCC Statement

This device complies with part 15 of the FCC Rules. Operation is subject to the following two conditions:

1. This device may not cause harmful interference, and
 2. this device must accept any interference received, including interference that may cause undesired operation.
- Any Changes or modifications not expressly approved by the party responsible for compliance could void the user's authority to operate the equipment.

Note: This equipment has been tested and found to comply with the limits for a Class B digital device, pursuant to part 15 of the FCC Rules. These limits are designed to provide reasonable protection against harmful interference in a residential installation. This equipment generates uses and can radiate radio frequency energy and, if not installed and used in accordance with the instructions, may cause harmful interference to radio communications. However, there is no guarantee that interference will not occur in a particular installation. If this equipment does cause harmful interference to radio or television reception, which can be determined by turning the equipment off and on, the user is encouraged to try to correct the interference by one or more of the following measures:

- Reorient or relocate the receiving antenna.
- Increase the separation between the equipment and receiver.
- Connect the equipment into an outlet on a circuit different from that to which the receiver is connected.
- Consult the dealer or an experienced radio/TV technician for help.

Declaration of Conformity:

GODOX Photo Equipment Co,Ltd. hereby declares that the Thisequipment are in compliance with the essential requirements and other relevant provisions of EU Directive 2014/30/EU. They are allowed to be used in all EU member states.For more information of DoC, Please click this web link:

http://www.godox.com/DOC/Godox_MF-R76_DOC.pdf

Warranty

Dear customers, as this warranty card is an important certificate to apply for our maintenance service, please fill in the following form in coordination with the seller and safe-keep it. Thank you!

Product Information	Model	Product Code Number
Customer Information	Name	Contact Number
	Address	
Seller Information	Name	
	contact Number	
	Address	
	Date of Sale	
Note:		

Note: This form shall be sealed by the seller.

Applicable Products

The document applies to the products listed on the Product Maintenance Information (see below for further information). Other products or accessories (e.g. promotional items, giveaways and additional accessories attached, etc.) are not included in this warranty scope.

Warranty Period

The warranty period of products and accessories is implemented according to the relevant Product Maintenance

Information. The warranty period is calculated from the day(purchase date) when the product is bought for the first time, And the purchase date is considered as the date registered on the warranty card when buying the product.

How to Get the Maintenance Service


If maintenance service is needed, you can directly contact the product distributor or authorized service institutions. You can also contact the Godox after-sale service call and we will offer you service. When applying for maintenance service, you should provide valid warranty card. If you cannot provide valid warranty card, we may offer you maintenance service once confirmed that the product or accessory is \involved in the maintenance scope, but that shall not be considered as our obligation.

Inapplicable Cases

The guarantee and service offered by this document are not applicable in the following cases:

1. The product or accessory has expired its warranty period;
2. Breakage or damage caused by inappropriate usage, maintenance or preservation, such as improper packing, improper usage, improper plugging in/out external equipment, falling off or squeezing by external force, contacting or exposing to the improper temperature, solvent, acid, base, flooding and damp environments, etc;
3. Breakage or damage caused by non-authorized institution or staff in the process of installation, maintenance, alternation, addition and detachment;
4. The original identifying information of product or accessory is modified, alternated, or removed;
5. No valid warranty card;
6. Breakage or damage caused by using illegally authorized, nonstandard or non-public released software;
7. Breakage or damage caused by force majeure or accident;
8. Breakage or damage that could not be attributed to the product itself. Once met these situations above, you should seek solutions from the related responsible parties and Godox assumes no responsibility. The damage caused by parts, accessories and software that beyond the warranty period or scope is not included in our maintenance scope. The normal discoloration, abrasion and consumption are not the breakage within the maintenance scope.

Documents / Resources

	<p>Godox Godox MF-R76 Micro Ring Flash [pdf] Instruction Manual Godox, MF-R76, Micro Ring Flash</p>
---	---