



# Godox MoveLink Mini Wireless Microphone System Instruction Manual

[Home](#) » [Godox](#) » Godox MoveLink Mini Wireless Microphone System Instruction Manual 

## Contents

- [1 Godox MoveLink Mini Wireless Microphone System](#)
- [2 Main Feature](#)
- [3 Structure of Product](#)
- [4 What's in the Box](#)
- [5 Buttons Instruction](#)
- [6 Indication Lamps Instruction](#)
  - [6.1 Receiver](#)
  - [6.2 Charging Case](#)
- [7 Operating Instruction](#)
- [8 Technical Data](#)
- [9 Maintenance](#)
- [10 FCC Statement](#)
- [11 Declaration of Conformity](#)
- [12 Warranty](#)
- [13 Maintenance and Service Support Information](#)
- [14 Documents / Resources](#)
- [15 Related Posts](#)

# Godox

**Godox MoveLink Mini Wireless Microphone System**



## Foreword

Thank you for purchasing Movelink mini is the new microphone system that transmits audio using 2.4GHz wireless frequency, with the characteristics of compact and portable, long battery life, and compatible with various devices by different adapters. It's suitable for live streaming, interview, lecturing, video recording, etc. Please read this manual carefully before using to make sure the correct operation and exert the optimum function.

## Main Feature

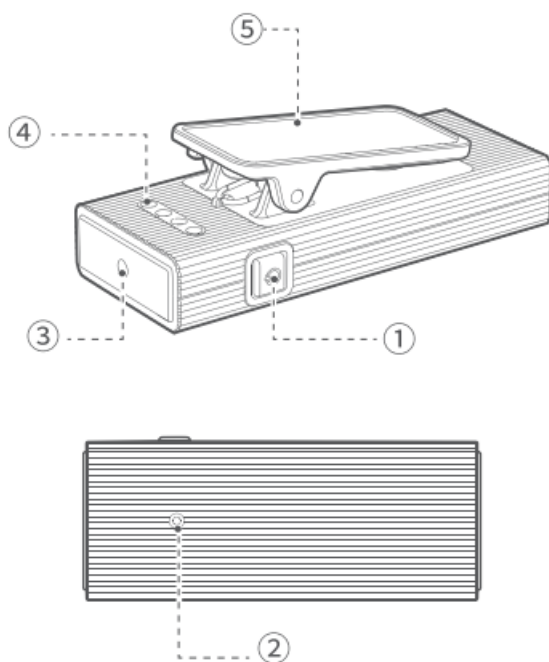
- Globally universal 2.4GHz wireless frequency, which can be used in WIFI and Bluetooth simultaneously
- The maximum wireless transmission distance up to 15m
- Clear and stable sound quality
- Output volume adjustment and silent function available
- Convenient matching and stable transmitting and receiving
- Compatible with various devices by Type-C or Lightning adapters
- The attached charging case provides both charging and storage functions

## Warning

- This product is high-precision instrument, please avoid falling, collision or pounding. & Do not disassemble. Should repairs become necessary, this product must be sent to our Company or an authorized maintenance center.
- Always keep this product dry. Do not use in rain or damp conditions.
- Do not leave or store this product in the environment of direct sunlight, near heating devices, or in hot, humid or dusty.
- Keep out of reach of children.
- Do not use in flammable and explosive environments. Pay attention to the relevant warning signs.
- Do not leave or store the product if the ambient temperature reads over 50°C.
- Please read carefully and follow the warnings or instructions provided by the manufacturer

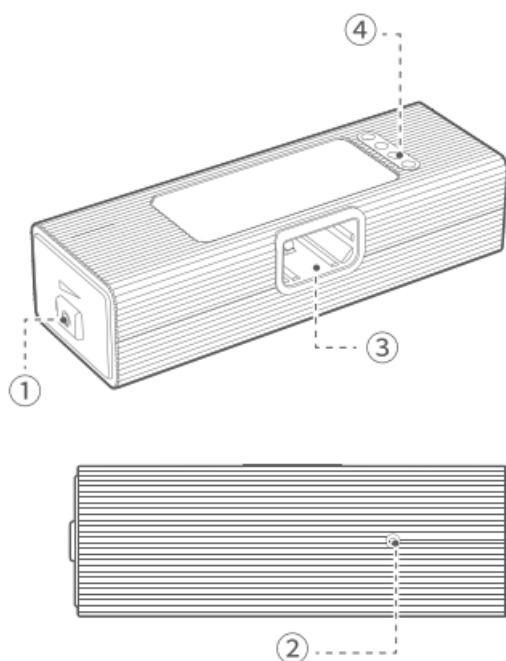
## Structure of Product

### Transmitter(Movelink Mini TX)



1. Power Switch/Mute Button
2. Indication Lamp
3. Built-in Microphone
4. Charging Points
5. Back Clip

### Receiver(Movelink Mini RX)

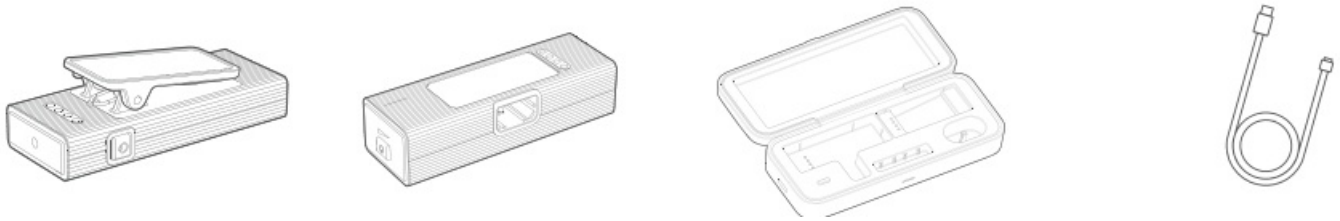


1. Power Switch/Gain Control Button

2. Indication Lamp
3. Adapter Port
4. Charging Points

## MoveLink mini Charging Case (ML-C2)

### What's in the Box



1. Transmitter (MoveLink Mini TX)
2. Receiver (MoveLink Mini RX)
3. MoveLink mini Charging Case(M L -C2)
4. USB to Type-C Data Cable



5. 3.5mm TRS Audio Adapter(MoveLink mini Adpt1)
6. 3.5mm TRRS Audio Adapter(MoveLink mini Adpt.2)
7. USB Type-C Adapter(MoveLink mini Adpt.UC)(for MoveLink mini UC kit)
8. Lightning Adapter(MoveLink mini Adpt.LT)(for MoveLink mini LT kit)



9. Wind Cap
10. Portable Rope
11. Pin

### Kit Name/Model /Package List

- MoveLink mini 2.4GHz wireless microphone system for Type-C Devices
  - MoveLink mini UC
- 1 2 3 4 3 5 6 7 8 9 10 10
- MoveLink mini 2.4GHz wireless microphone system for iOS Lightning Device
  - MoveLink mini LT
- 1 2 3 4 3 5 6 7 8 9 10 10

### Buttons Instruction

### 1. **Power Switch/Mute Button on Transmitter**

Long press for 3 seconds to turn on the device, the indication lamp will be constant on blue. Short press to enter mute mode, the indication lamp will be constant on red.

### 2. **Power Switch/Gain Control Button on Receiver**

Long press for 3 seconds to turn on the device, the indication lamp will be constant on blue. Short press to adjust the output volume, the indication lamp will flash green every 0.5 seconds in level 1 (normal gain), and purple every 0.5 second in level 2 (-1 OdB).

### 3. **Pairing Button on Charging Case**

Short press to pair, the transmitter and receiver will flash green simultaneously if paired.

## **Indication Lamps Instruction**

### **Transmitter**

1. The indication lamp will be constant on yellow when the transmitter is powered on but unpaired, then turn to constant on blue after paired. When the battery level is lower than 10%, the indication lamp will flash red.
2. The indication lamp will be constant on red in mute mode.
3. Charging in the case: The indication lamp will not lighten on when in malfunction or poor contact, breath in blue every other second when charging normally, and off after fully charged.
4. Pairing in the case: The indication lamp will flash yellow every 0.5 seconds when unpaired, and automatically turn to charging mode. The indication lamp will flash green every 0.5 seconds when paired, and automatically turn to charging mode.

### **Receiver**

1. The indication lamp will be constant on yellow when the transmitter is powered on but unpaired, then turn to constant on blue after paired. When the battery level is lower than 10%, the indication lamp will flash red.
2. Gain control: The indication lamp will flash green every 0.5 seconds when in level 1, and purple every 0.5 seconds when in level 2.
3. Charging in the case: The indication lamp will not lighten on when in malfunction or poor contact, breath in blue every other second when charging normally, and off after fully charged.
4. Pairing in the case: The indication lamp will flash yellow every 0.5 seconds when unpaired, and automatically turn to charging mode. The indication lamp will flash green every 0.5 seconds when paired, and automatically turn to charging mode.

**Note:** When the transmitter is within the receiving range of the receiver, the indication lamp will be constant on blue. When the transmitter is beyond the receiving range, the indication lamp will be constant on yellow, and automatically turn to constant on blue after back to the receiving distance.

The transmitter and receiver will automatically shut down and enter into charging mode when put into the charging case. And they need to be turned on manually after taken out.

### **Charging Case**

1. **Charging:** The indicator light will breathe in white when in charging mode, and turn to constant on white after fully charged.

2. **Discharging:** When the receiver and transmitter are put into the charging case respectively or at the same time, short press the pairing button to trigger charging, the indicator light will be constant on white for 4 seconds and then off, then the devices is in charging mode. While short press the pairing button to trigger charging when the battery level is lower than 10%, the indicator light will breathe in white for 4 seconds and then off, then the devices is in charging mode.

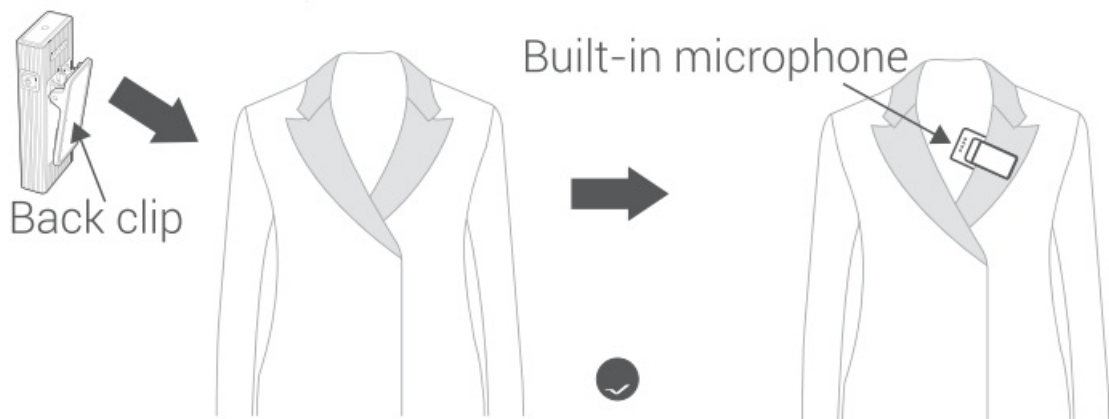
## Operating Instruction

### 1. Pairing

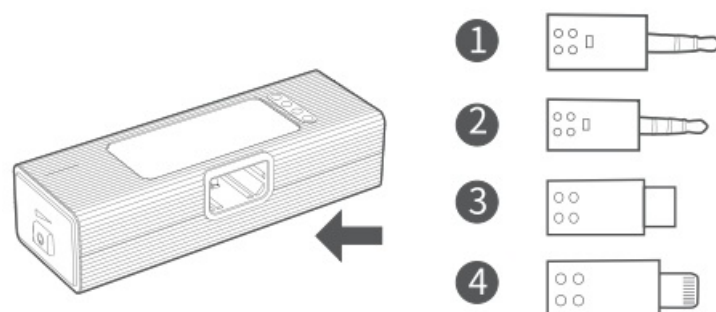
- Put the transmitter and receiver into the charging case and press the pairing button, the receiver and transmitter will flash green simultaneously after successfully paired. Or turn on the transmitter and receiver manually, they will automatically start pairing within the receiving range, the indicator light will be constant on blue after successfully paired.

### 2. Installation

- Install the transmitter on the collar through the back clip, aiming the built in microphone towards the sound source direction. Please do not cover the built-in microphone in order to get good sound effects.



- Choose the suitable adapter and insert into the adapter port, and then connect to the corresponding device to use.



- Movelink mini 2.4GHz 3.5mm TRS Audio Adapter
- Movelink mini 2.4GHz 3.5mm TARS Audio Adapter C)
- Movelink mini 2.4GHz USB Type-C Adapter
- Movelink mini 2.4GHz Lightning Adapter

## Technical Data

Model	MoveLink Mini TX(Transmitter) / MoveLink Mini RX(Receiver)
Transmission Type	2.4G
Pick-up Mode	Omnidirectional
Equivalent Input Noise Level	21.8dB (A Weighted)
Frequency Range	50Hz-16KHz
Max. Output Electrical Level	+3dBu
SPL	>65dB
Single to Noise Ratio	94dB
THD	<5% at 1000Hz
Working Range	15 meters
Analog Input	3.5mmTES lavalier microphone input(Transmitter)
Analog Output	3.5mmTES (Receiver)
Working Temperature Range	-10~50°C
RF Frequency Range	2402MHz~2480MHz
RF Max. Transmitting Power	+3.5dB
Input Parameters	Transmitter:Built-in li-ion battery 3.7V,100mAh, 0.37Wh Receiver:Built-in li-ion battery 3.7V,150mAh, 0.555Wh Charging Case:Built-in li-ion battery 3.7V,800mAh, 2.96Wh/Type-C 500mA 5V
Battery Life	Transmitter:8 hours Receiver:9 hours
Dimension	Transmitter:53mm*21mm*17mm Receiver:61mm*21mm*15mm Charging Case:139mm*57mm*28mm
Net Weight	Transmitter:12g Receiver:14g Charging Case:115g

## Maintenance

- Avoid falling. Strong collision or vibration may malfunction the device.
- Keep dry. This product is not water-proof. Malfunction, rust, and corrosion may occur and go beyond repair if soaked in water or exposed to high humidity.
- Avoid sudden temperature changes. Condensation happens in sudden temperature changes such as the circumstance when taking the product out of a building with higher temperature to outside in winter. Please put the product in a handbag or plastic bag beforehand.
- Keep away from strong magnetic field. The strong static or magnetic field produced by devices such as radio transmitters leads to malfunction.

## FCC Statement

This device complies with part 15 of the FCC Rules. Operation is subject to the following two conditions:

1. This device may not cause harmful interference, and
  2. this device must accept any interference received, including interference that may cause undesired operation
- Any Changes or modifications not expressly approved by the party responsible for compliance could void the user's authority to operate the equipment

**Note:** This equipment has been tested and found to comply with the limits for a Class B digital device, pursuant to part 15 of the FCC Rules. These limits are designed to provide reasonable protection against harmful interference in a residential installation. This equipment generates uses and can radiate radio frequency energy and, if not installed and used in accordance with the instructions, may cause harmful interference to radio communications. However, there is no guarantee that interference will not occur in a particular installation. If this equipment does cause harmful interference to radio or television reception, which can be determined by turning the equipment off and on, the user is encouraged to try to correct the interference by one or more of the following measures:

- Reorient or relocate the receiving antenna.
- Increase the separation between the equipment and the receiver.
- Connect the equipment to an outlet on a circuit different from that to which the receiver is connected.
- Consult the dealer or an experienced radio/TV technician for help
- The device has been evaluated to meet general RF exposure requirements.
- The device can be used in portable exposure conditions without restriction.

## Declaration of Conformity

- GODOX Photo Equipment Co, Ltd. hereby declares that This equipment is in compliance with the essential requirements and other relevant provisions of the EU
- Directive 2014/53/EU. They are allowed to be used in all EU member states. For more information on Doc, Please click this web link:
- <http://www.godox.com/DOC/GodoxMoveLinkMiniDOC.pdf/>

## Warranty

- Dear customers, as this warranty card is an important certificate to apply for our maintenance service, please fill in the following form in coordination with the seller and safekeep it. Thank you



Product Information	Model	Product Code Number
Customer Information	Name	Contact Number
	Address	
Seller Information	Name	
	Contact Number	
	Address	
	Date of Sale	
Note		

**Note:** This form shall be sealed by the seller.

**( Applicable Products )**

- The document applies to the products listed on the Product Maintenance information (see below for further information). Other products or accessories (e.g. promotional items, giveaways and additional accessories attached,etc.) are not included in this warranty scope.

**( Warranty Period )**

- The warranty period of products and accessories is implemented according to the relevant Product Maintenance Information. The warranty period is calculated from the day(purchase date) when the product is bought for the first time, and the purchase date is considered as the date registered on the warranty card when buying the product.

**( How to Get the Maintenance Service )**

- If maintenance service is needed, you can directly contact the product distributor or authorized service institutions. You can also contact the Godox after-sale service call and we will offer you service. When applying for maintenance service, you should provide valid warranty card. If you cannot provide valid warranty card, we may offer you maintenance service once confirmed that the product or accessory is involved in the maintenance scope, but that shall not be considered as our obligation.

**( Inapplicable Cases )**

The guarantee and service offered by this document are not applicable in the following cases:

1. The product or accessory has expired its warranty period;

2. Breakage or damage caused by inappropriate usage, maintenance or preservation, such as improper packing, improper usage, improper plugging in/out external equipment, falling off or squeezing by external force, contacting or exposing to the improper temperature, solvent, acid, base, flooding and damp environments, etc;  
 ⑥ . Breakage or damage caused by nonauthorized institution or staff in the process of installation, maintenance, alternation, addition and detachment;⑥. The original identifying information of product or accessory is modified, alternated, or removed;⑥. No valid warranty card;
3. Breakage or damage caused by using illegally authorized, nonstandard or non-public released software;
4. Breakage or damage caused by force majeure or accident;
5. Breakage or damage that could not be attributed to the product itself. Once met these situations above, you should seek solutions from the related responsible parties and Godox assumes no responsibility.
6. The damage caused by parts, accessories and software that beyond the warranty period or scope is not included in our maintenance scope. The normal discoloration, abrasion, and consumption are not the breakage within the maintenance scope.

## Maintenance and Service Support Information

The warranty period and service types of products are implemented according to the following Product Maintenance Information:

Product Type	Name	Maintenance Period(month)	Warranty Service Type
Parts	Product Main Body	12	Customer sends the product to designated site
	Battery	3	Customer sends the product to designated site
	Charger,Electrical Parts etc.	12	Customer sends the product to designated site
Other Items	Power Cable,Sync Cable, Battery Case, Windscreen Foam, Wind Cap, Locking Device, Lanyard, Tie, Velcro Tape, Clip, Bag, Package etc.	No	Without warranty

## WeChat Official Account

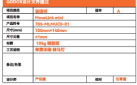


- [godox@godox.com](mailto:godox@godox.com)
- GODOX Photo Equipment Co., Ltd.
- Add.: Building 2, Yaochuan Industrial Zone, Tangwei Community, Fuhai Street, Bao' a District,

Shenzhen 518103, China Tel: +86-755-29609320(8062)

- Fax: +86-755-25723423
- E-mail: [godox@godox.com](mailto:godox@godox.com)
- [www.godox.com](http://www.godox.com)
- Made in China I 705-MLMUCO-OI

## Documents / Resources

	<p><a href="#">Godox MoveLink Mini Wireless Microphone System</a> [pdf] Instruction Manual 073, 2ABYN073, MoveLink Mini Wireless Microphone System, MoveLink Mini, Wireless Microphone System, Microphone System</p>
---	--

[Manuals+](#)