

SmallRig

EN Operating Instruction

CN 操作指引

DE Betriebsanweisungen

FR Instructions opérationnelles

IT Istruzioni per l'uso

ES Instrucciones operativas

PT Instruções de funcionamento

NL Gebruiksaanwijzing

SE Bruksanvisning

KR 운영 지침



MODEL/HVIN: **RC 220B Pro**

COB LED Video Light

COB 摄影补光灯

Important Reminder

Thank you for choosing SmallRig products.

1. Please read the user manual carefully before using this product.
2. Please pay attention to all warnings and follow all instructions in the user manual.
3. For children, please use it under adult guidance.
4. Please remove the protective cover of the COB lamp bead before use.
5. After the light is used, the COB and panel, the top and bottom are high temperature areas. Before cooling the device, avoid high temperature areas. For your safety and health, Do not block the heat dissipation hole when using the device, and do not look directly at the device for a long time when it is working.
6. Ensure that the equipment is completely cooled before storage. After the device has cooled, place in the appropriate position of the storage bag.
7. In order to ensure the normal operation of the equipment, it is recommended to store it in a cool, dry and clean environment. Do not store the device near damp, liquid, or other flammable or volatile solvents. Avoid damaging the equipment.
8. If you need to clean the surface of the device, use a dry soft cloth. Before cleaning and servicing, be sure to unplug the power adapter and cable.
9. To reduce the risk of electric shock, do not immerse the device in water or other liquids.
10. In order to reduce the risk of electric shock, do not disassemble the device without permission. If the device fails and needs maintenance, please consult the relevant purchase channels and be handled by professional maintenance personnel. Non-standard assembly and maintenance may have security risks, unauthorized disassembly is prohibited.
11. Use of accessories not recommended by SmallRig may cause hazards such as fire or electric shock. Please refer to the accessories or according to the specifications provided by SmallRig, and used accessories certified by qualified manufacturer.



Do not disassemble the product. If you suspect any problem with the product, please contact the purchasing channel and apply for after-sales service.

EN

In the Box

LED Video Light	× 1	Power Cable	× 1	Carrying Bag	× 1
AC Adapter	× 1	55° Hyper Reflector	× 1	Operating Instruction	× 1

Product Introduction




Installation Instruction

1. Removal and installation of protective cover

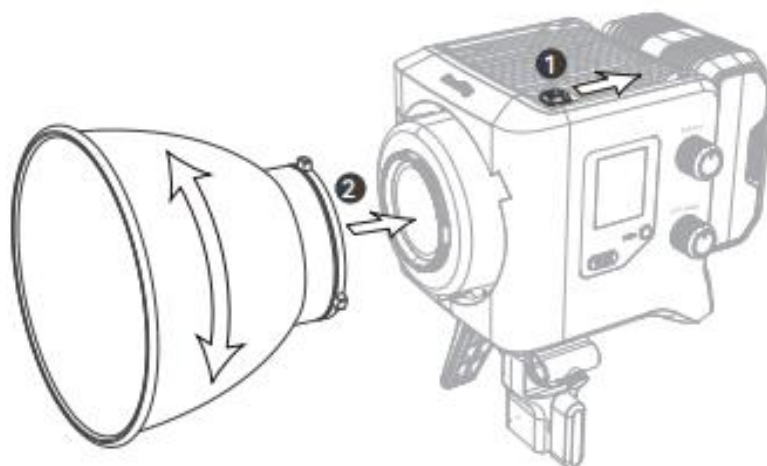
Push the release latch in the direction of the arrow shown, and rotate the protective cover out. Rotation in the opposite direction to install the cover.



 Please be sure to pull out the protective cover before use, otherwise it will burn; Install the cover to protect the lamp when not in use.

2. Removal and installation of Hyper reflector

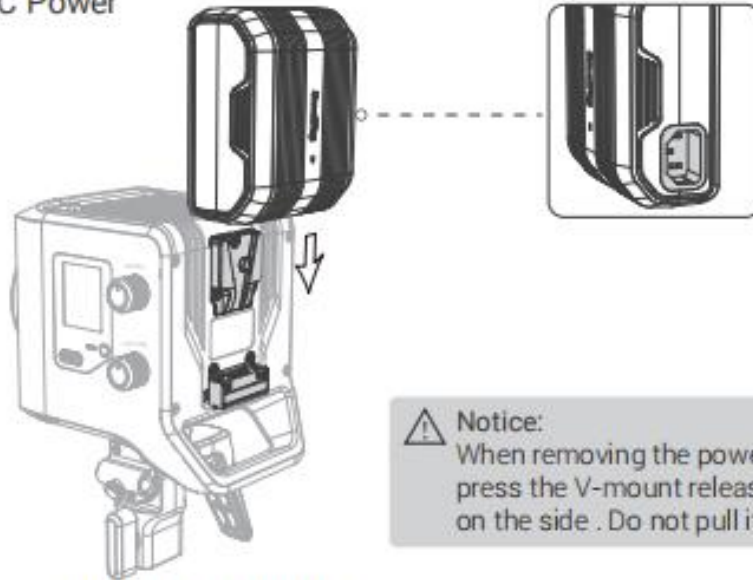
Push the release latch in the direction of the arrow shown, and rotate the hyper reflector out. Rotation in the opposite direction to install the reflector.



EN

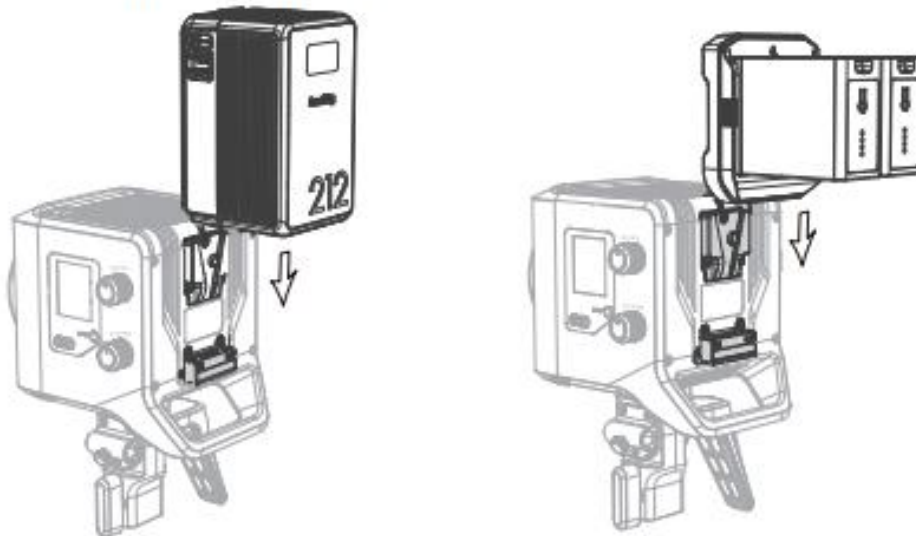
Power supply

1. AC Power



Notice:
When removing the power adapter, press the V-mount release button on the side. Do not pull it out forcibly.

2. V-mount and NPF Battery



(1) Batteries are not standard and need to be purchased separately.



(2) The V-mount battery voltage that is lower than 20V will support maximum input of 150W and showed maximum 68% INT on the screen. When the voltage is above 20V, the light can be full output. A battery with a maximum capacity of 150Wh or above is recommended used with the light.

(3) The maximum input will be 60W when use with NPF batteries and the INT showed maximum 27% on the screen.

Product Operation

1. CCT Mode

- (1) Rotate the INT / FX knob to adjust the brightness at 1% variable, and the brightness varies from 0 to 100%; Press the INT/FX knob, the brightness varies between 20%, 40%, 60%, 80% and 100%.



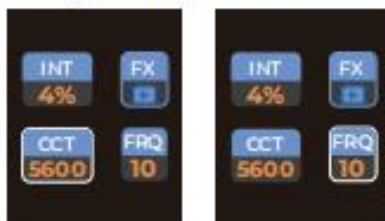
- (2) Rotate the CCT/FRQ knob to adjust the color temperature at 100K variable, and the color temperature varies from 2700K to 6500K.



2. Press the MODE button to FX mode



- (1) Press the CCT/FRQ knob to switch between the CCT and FRQ, and rotate to adjust CCT or FRQ.



- (2) Rotate the INT/FX light effect knob to switch between 9 kinds of light effects; Press the knob to switch between INT/ and FX.

Paparazzi	Television	Falty bulb	Lightning	Breathing	Flickering	Party	Flame	Fireworks

EN

3. App Control

Users can download SmallGoGo via mobile phone or tablet. After successful connection, a wireless icon appears in the upper right corner of the screen then can control the light wirelessly.



For more information, please visit www.smallgogo.com

4. BLE connect

- (1) Pressing the Reset button for 3 seconds, the wireless icon appears on screen and blinks 6 times to complete the wireless reset.
- (2) After the reset is completed, the device and lights can be reconnected.



A screenshot of the app interface showing 'BLE ID 15D16F' in a blue box.	<p>Notice: (1) The Reset button is multiplexed. Press once to show the BLE number. Press again to exit.</p>	A screenshot of the app interface showing 'INT' at 20% and 'CCT' at 6500K. A wireless icon is present in the top right corner.	<p>(2) Press 3 times to silent mode and the light keeps 20% brightness. Press another 3 times to exit.</p>
--	---	--	--

5. OTA Upgrade

The firmware can be upgraded online through the SmallGoGo App. The device will automatically restart 3 seconds after the upgrade is successful.

6. DMX Mode

Long press the MODE button or connect the SmallRig DMX adapter to enter DMX mode.



Channels as follows:

Channel	Channel Number	Parameter
Channel 1 / INT	0-20	Turn off the lights
	21-218	1%-99%
	219-255	100%
Channel 2 / CCT	0-16	2700K
	17-22	2800K
	23-28	2900K
	29-34	3000K
	35-40	3100K
	41-46	3200K
	47-52	3300K
	53-58	3400K
	59-64	3500K
	65-70	3600K
	71-76	3700K
	77-82	3800K
	83-88	3900K
	89-94	4000K
	95-100	4100K
	101-106	4200K
	107-112	4300K
	113-118	4400K
	119-124	4500K
	125-130	4600K
	131-136	4700K
	137-142	4800K
	143-148	4900K
	149-154	5000K
	155-160	5100K
	161-166	5200K
	167-172	5300K
	173-178	5400K
	179-184	5500K
	185-190	5600K
	191-196	5700K
	197-202	5800K
203-208	5900K	
209-214	6000K	
215-220	6100K	
221-226	6200K	
227-232	6300K	
233-238	6400K	
239-255	6500K	

Channel	Channel Number	FX / FRQ
Channel 3 / FX	0-24	Standard
	25-49	Paparazzi
	50-74	Television
	75-99	Falty bulb
	100-124	Lightning
	125-149	Breathing
	150-174	Flickering
	175-199	Party
	200-224	Flame
	225-255	Fireworks
Channel 3 / FRQ	0-26	1
	27-51	2
	52-76	3
	77-101	4
	102-126	5
	127-151	6
	152-176	7
	177-201	8
	202-226	9
		227-255

 **NOTE:**
 (1) A SmallRig DMX controller is required for DMX functionality, and the controller is purchased separately.
 (2) The interface is a 4-pin XLR and supports only SmallRig DMX adapter and control panel.



Specifications

Working Current	10A
Light Voltage	DC 24V
Adapter Working Voltage	AC100 - 240V
TLCI	98
CCT Range	2700K - 6500K
Dimensions	166 × 120 × 155mm / 6.5 × 4.7 × 6.1in

Power Consumption (MAX)	220W
Cooling Mode	Active Cooling
CRI	95
App control	2.4GHz
Wireless Distance	100m
Weight	1650.0 ± 10g / 58.2 ± 0.4oz

Brightness test data table

CCT	Distance	
	INT	1m
2700K	Bare Bulb	6120 (lux)
		568 (fc)
3200K	Bare Bulb	7590 (lux)
		705 (fc)
5600K	Bare Bulb	9180 (lux)
		853 (fc)
6500K	Bare Bulb	7690 (lux)
		714 (fc)

* The brightness data is average data, and the brightness of different lights will vary.

FCC Statement

This equipment has been tested and found to comply with the limits for a Class B digital device, pursuant to part 15 of the FCC rules. These limits are designed to provide reasonable protection against harmful interference in a residential installation. This equipment generates, uses and can radiate radio frequency energy and, if not installed and used in accordance with the instructions, may cause harmful interference to radio communications. However, there is no guarantee that interference will not occur in a particular installation. If this equipment does cause harmful interference to radio or television reception, which can be determined by turning the equipment off and on, the user is encouraged to try to correct the interference by one or more of the following measures:

- Reorient or relocate the receiving antenna.
- Increase the separation between the equipment and receiver.
- Connect the equipment into an outlet on a circuit different from that to which the receiver is connected.
- Consult the dealer or an experienced radio/TV technician for help.

To assure continued compliance, any changes or modifications not expressly approved by the party.

Responsible for compliance could void the user's authority to operate this equipment. (Example- use only shielded interface cables when connecting to computer or peripheral devices).

This equipment complies with Part 15 of the FCC Rules. Operation is subject to the following two conditions:

- (1) This device may not cause harmful interference, and
- (2) This device must accept any interference received, including interference that may cause undesired operation.

FCC Radiation Exposure Statement:

The equipment complies with FCC Radiation exposure limits set forth for uncontrolled environment. This equipment should be installed and operated with **minimum distance 20cm** between the radiator and your body.

ISED Statement

- English: This device contains licence-exempt transmitter(s)/receiver(s) that comply with Innovation, Science and Economic Development Canada's licence-exempt RSS(s). Operation is subject to the following two conditions:

(1) This device may not cause interference.

(2) This device must accept any interference, including interference that may cause undesired operation of the device.

- French: Cet appareil contient des émetteurs/récepteurs exempts de licence qui sont conformes aux CNR exempts de licence d'Innovation, Sciences et Développement économique Canada. Le fonctionnement est soumis aux deux conditions suivantes :

(1) Cet appareil ne doit pas causer d'interférences.

(2) Cet appareil doit accepter toute interférence, y compris les interférences susceptibles de provoquer un fonctionnement indésirable de l'appareil.

This device meets the exemption from the routine evaluation limits in section 2.5 of RSS 102 and compliance with RSS 102 RF exposure, users can obtain Canadian information on RF exposure and compliance.

cet appareil est conforme à l'exemption des limites d'évaluation courante dans la section 2.5 du cnr - 102 et conformité avec rss 102 de l'exposition aux rf, les utilisateurs peuvent obtenir des données canadiennes sur l'exposition aux champs rf et la conformité.

This equipment complies with Canada radiation exposure limits set forth for an uncontrolled environment.

This equipment should be installed and operated with minimum distance 20cm between the radiator & your body.

Cet équipement est conforme Canada limites d'exposition aux radiations dans un environnement non contrôlé.

Cet équipement doit être installé et utilisé avec une distance minimale de 20 cm entre le radiateur et votre corps.